

NOTES:

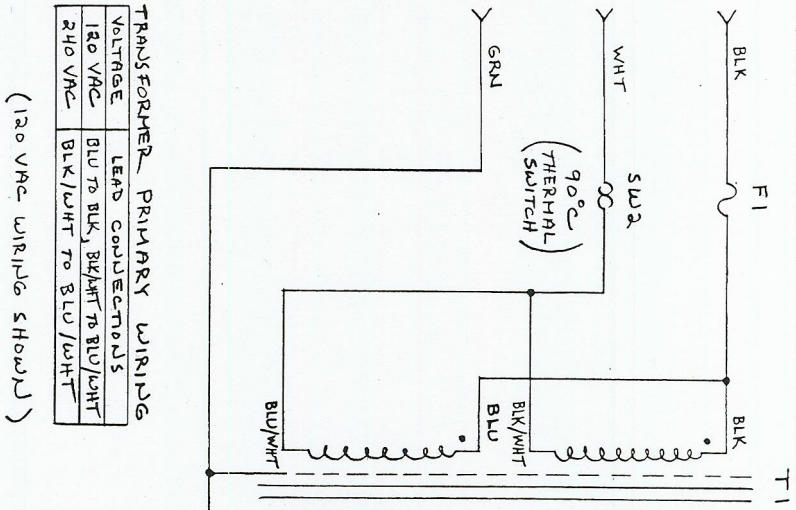
1. BOTH CHANNELS SHOWN
2. ALL CAPS. USE PRECISION RES. UNLESS NOTED
3. A1 & A2 ARE LM308N
4. AM1 & AM2 ARE TYPE 1 ANALOG MODULES
5. AM3 & AM4 ARE TYPE 2 ANALOG MODULES
6. Q33 & Q34 ARE 2N3055
7. Q35 & Q36 ARE 2N3055
8. Q1, 2, 3, 4 ARE 2N3055
9. Q5, 6, 7, 8 ARE 2N3055
10. Q9-14, 2, 3, 4 ARE 2N3055
11. Q15-21, 2, 3, 4 ARE 2N3055

REVISIONS:

- 1) R103, 104 ADDED 1-27-77
- 2) C35, 36 ADDED 1-27-77

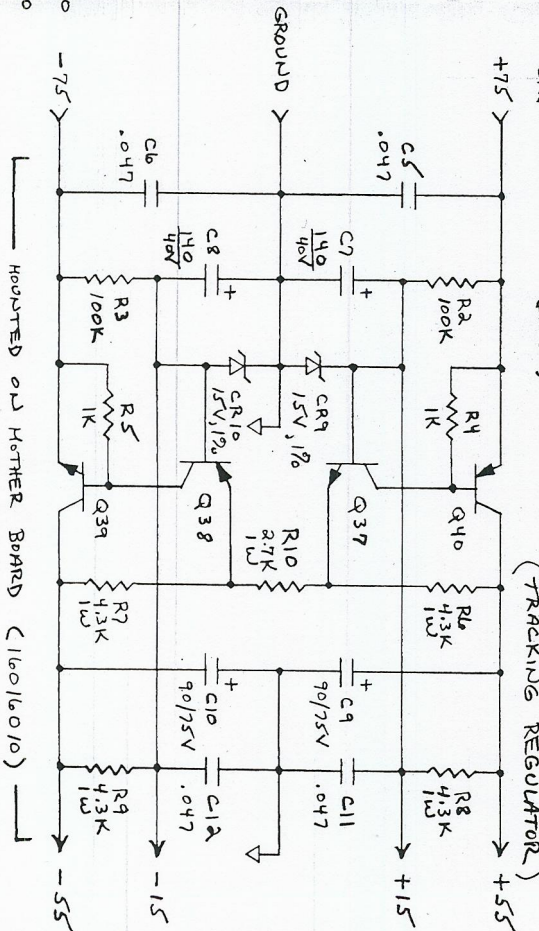
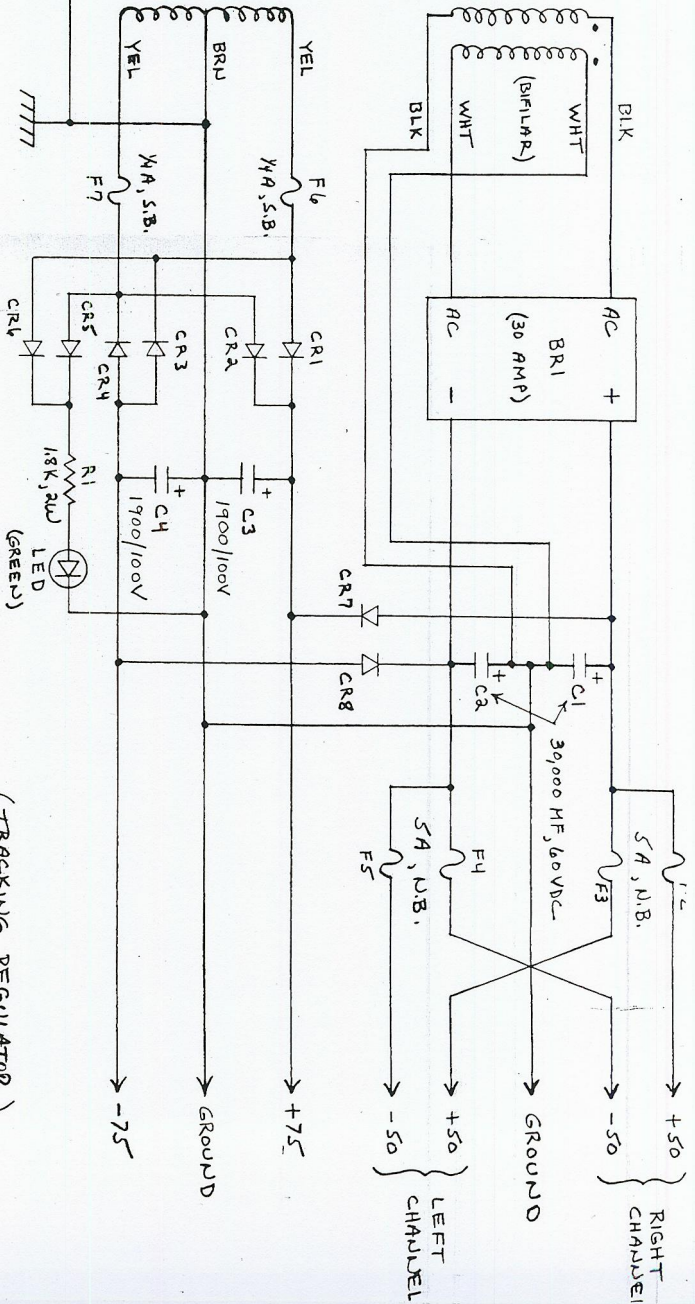
D100 POWER AMPLIFIER
9-1-76

120/240
VAC
50-60 Hz



NOTES :

1. CR1 - CR8 ARE 1N4003
2. BR1 = VARO VK2Y8
3. SW2 MOUNTED ON HEAT SINK ASSEM.
4. F₆, F₇, CR1-K, & F₁ ARE ON PWB 16017110
5. ALL CAP. 10 MF & RES. 1/4W UNLESS NOTED
6. Q37, 38 ARE M.P., P/N 30001100 & 30002100
7. Q39, 40 ARE M.P., P/N 30002400 & 30002500



MOUNTED ON HEATER BOARD (16016010)